

Circuit Shorts: Answers to [March 2021 Riddles](#)

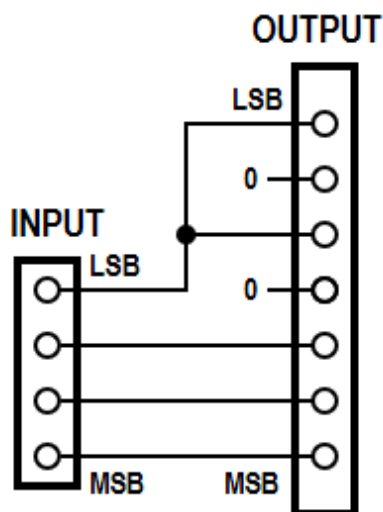
Riddle 1

The answer to the first riddle: Separate 10 cards from the main pile and flip them. You'll now have an equal facing up card in each of the two piles.

Riddle 2

The answer to the second riddle: You don't need any logic at all!

Input		Output	
Decimal	BCD	Decimal	BCD
0	0000	0	0000 0000
1	0001	5	0000 0101
2	0010	10	0001 0000
3	0011	15	0001 0101
4	0100	20	0010 0000
5	0101	25	0010 0101
6	0110	30	0011 0000
7	0111	35	0011 0101
8	1000	40	0100 0000
9	1001	45	0100 0101



210071-001